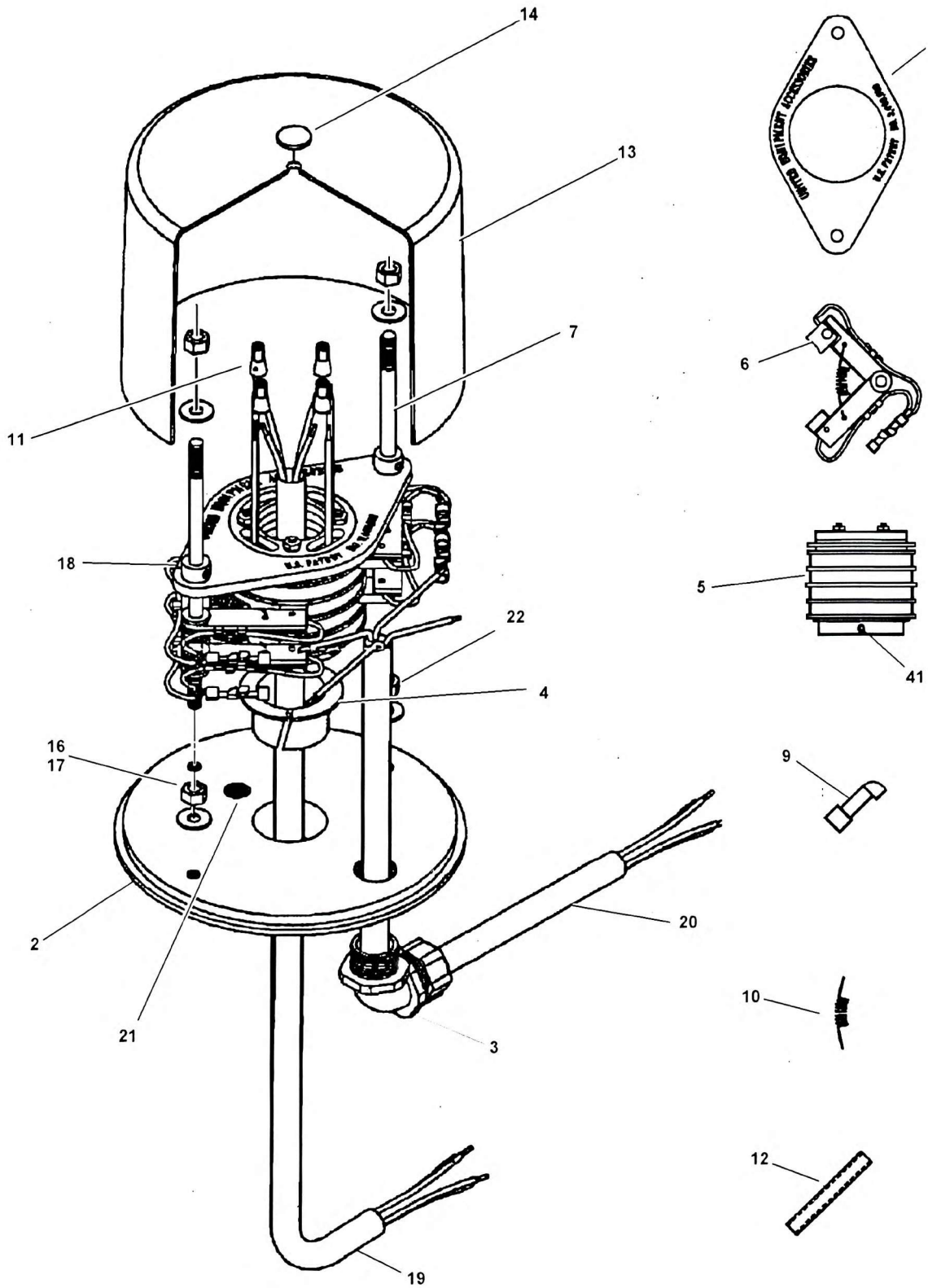


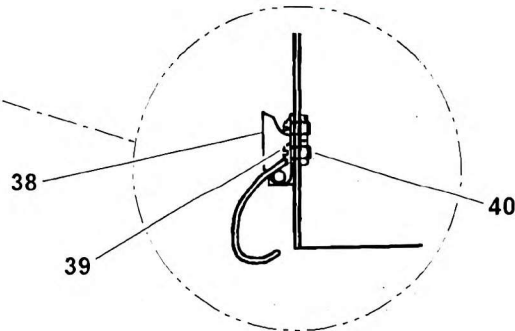
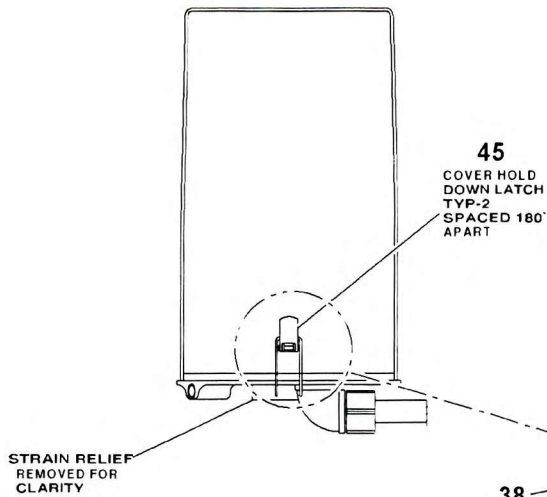
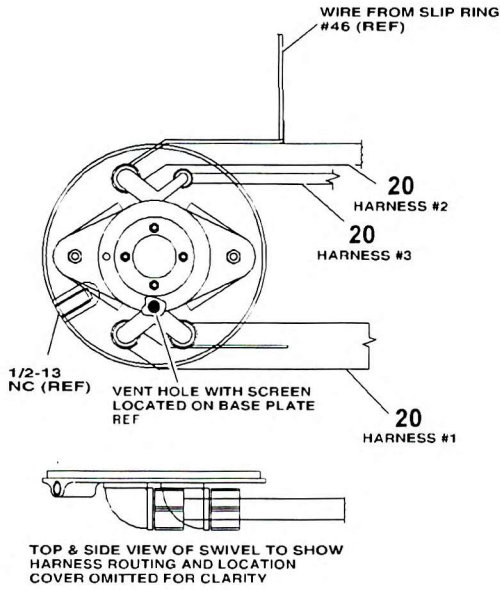
Manitowoc Crane Group



7753100038

(SHEET 3 OF 4)

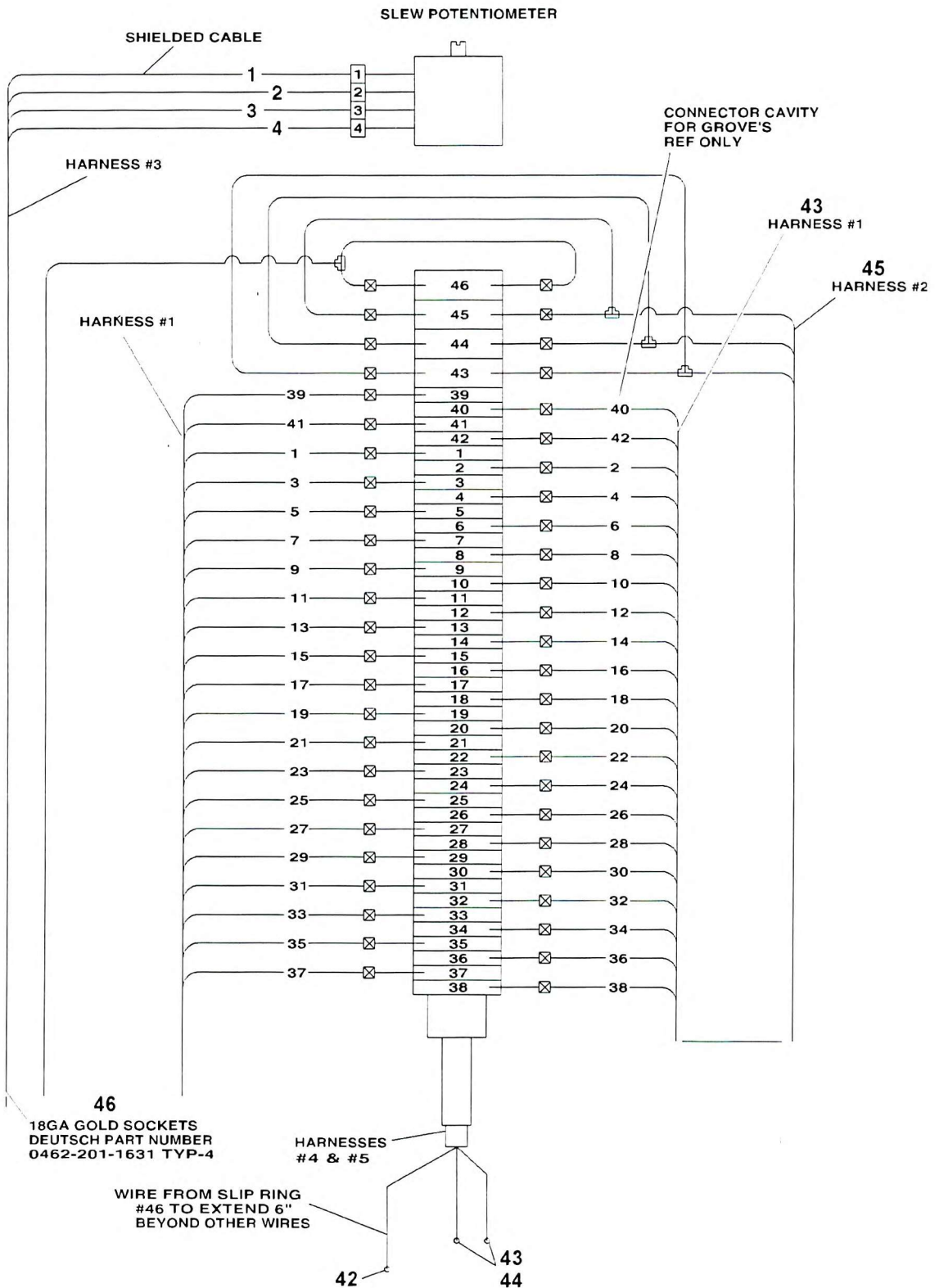
Manitowoc Crane Group



PIN LOADING CHART-SWIVEL WIRING

WIRE ENDS-UPPER HARNESSES					WIRE ENDS-LOWER HARNESSES				
HARNESS #	SLIP RING #	AWG SIZE	PART NAME	DEUTSCH P/N	HARNESS #	WIRE #	AWG SIZE	PART NAME	DEUTSCH P/N
1	1	16	#16 SOC	0462-209-16141	4	1	16	#16 SOC	0462-209-16141
	2	16	#16 SOC	0462-209-16141		2	16	#16 SOC	0462-209-16141
	3	16	#16 SOC	0462-209-16141		3	16	#16 SOC	0462-209-16141
	4	16	#16 SOC	0462-209-16141		4	16	#16 SOC	0462-209-16141
	5	16	#16 SOC	0462-209-16141		5	16	#16 SOC	0462-209-16141
	6	16	#16 SOC	0462-209-16141		6	16	#16 SOC	0462-209-16141
	7	16	#16 SOC	0462-209-16141		7	16	#16 SOC	0462-209-16141
	8	16	#16 SOC	0462-209-16141		8	16	#16 SOC	0462-209-16141
	9	16	#16 SOC	0462-209-16141		9	16	#16 SOC	0462-209-16141
	10	16	#16 SOC	0462-209-16141		10	16	#16 SOC	0462-209-16141
	11	16	#16 SOC	0462-209-16141		11	16	#16 SOC	0462-209-16141
	12	16	#16 SOC	0462-209-16141		12	16	#16 SOC	0462-209-16141
	13	16	#16 SOC	0462-209-16141		13	16	#16 SOC	0462-209-16141
	14	16	#16 SOC	0462-209-16141		14	16	#16 SOC	0462-209-16141
	15	16	#16 SOC	0462-209-16141		15	16	#16 SOC	0462-209-16141
	16	16	#16 SOC	0462-209-16141		16	16	#16 SOC	0462-209-16141
	17	16	#16 SOC	0462-209-16141		17	16	#16 SOC	0462-209-16141
	18	16	#16 SOC	0462-209-16141		18	16	#16 SOC	0462-209-16141
	19	16	#16 SOC	0462-209-16141		19	16	#16 SOC	0462-209-16141
	20	16	#16 SOC	0462-209-16141		20	16	#16 SOC	0462-209-16141
21	16	#16 SOC	0462-209-16141	21	16	#16 SOC	0462-209-16141		
22	16	#16 SOC	0462-209-16141	22	16	#16 SOC	0462-209-16141		
23	16	#16 SOC	0462-209-16141	23	16	#16 SOC	0462-209-16141		
24	16	#16 SOC	0462-209-16141	24	16	#16 SOC	0462-209-16141		
25	16	#16 SOC	0462-209-16141	25	16	#16 SOC	0462-209-16141		
26	16	#16 SOC	0462-209-16141	26	16	#16 SOC	0462-209-16141		
27	16	#16 SOC	0462-209-16141	27	16	#16 SOC	0462-209-16141		
28	16	#16 SOC	0462-209-16141	28	16	#16 SOC	0462-209-16141		
29	16	#16 SOC	0462-209-16141	29	16	#16 SOC	0462-209-16141		
30	16	#16 SOC	0462-209-16141	30	16	#16 SOC	0462-209-16141		
31	16	#16 SOC	0462-209-16141	31	16	#16 SOC	0462-209-16141		
32	16	#16 SOC	0462-209-16141	32	16	#16 SOC	0462-209-16141		
33	16	#16 SOC	0462-209-16141	33	16	#16 SOC	0462-209-16141		
34	16	#16 SOC	0462-209-16141	34	16	#16 SOC	0462-209-16141		
35	16	#16 SOC	0462-209-16141	35	16	#16 SOC	0462-209-16141		
36	16	#16 SOC	0462-209-16141	36	16	#16 SOC	0462-209-16141		
37	16	#16 SOC	0462-209-16141	37	16	#16 SOC	0462-209-16141		
38	16	#16 SOC	0462-209-16141	38	16	#16 SOC	0462-209-16141		
39	14	#16 SOC	0462-209-16141	39	14	#16 SOC	0462-209-16141		
40	14	#16 SOC	0462-209-16141	40	14	#16 SOC	0462-209-16141		
41	14	#16 SOC	0462-209-16141	41	14	#16 SOC	0462-209-16141		
42	14	#16 SOC	0462-209-16141	42	14	#16 SOC	0462-209-16141		
43	6	#4 SOC	0462-203-04141	43	6	#4 PIN	0460-204-0490		
44	6	#4 SOC	0462-203-04141	44	6	#4 PIN	0460-204-0490		
45	6	#4 SOC	0462-203-04141	45	6	#4 PIN	0460-204-0490		
46	6	EYELET	AMP-52266-1	46	6		NO TERMINAL		

Manitowoc Crane Group



7753100038

(SHEET 1 OF 4)